

PLEASE KEEP ME WITH YOUR PROOF OF PURCHASE FOR FUTURE REFERENCE



ASSEMBLY INSTRUCTIONS

Heritage Lounger

(68122145 / 68149146)

ATTENTION:

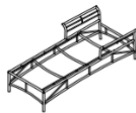






1. Please read these instructions carefully before assembly
2. Aluminium is a soft metal and over tightening may strip the thread or break the part
3. **DO NOT** use power tools
4. Please allow 15 minutes for assembly
5. Although assembly only requires 1 person it is advised that a second person be present to help turn the lounger over and into position when fully assembled.

ASSEMBLY STEPS:

1. **LOOSELY** attach backrest (B) to lounger (A) with bolts (D) and flat washers (E) and spacer (C) using spanner (G)
2. Tighten all bolts using spanner (G) one by one being careful not to over tighten any as this will cause the thread to become damaged
3. Place Nut Caps (F) on all visible bolts (D)

For more information regarding maintenance of your furniture please visit

<https://www.hartmanuk.com/home>

Component's					Fixings				
Parts List	Parts Picture	Description	Q'ty	Part no	Parts list	Parts Picture	Description	Q'ty	Part no.
A		Lounger	1	68122145A 68149146A	C		spacer	2	1040162
					D		55mm*M8 bolts	2	2002162
B		Backrest	1	68122145B 68149146B	E		Flat washers	2	1061162
					F		Nut Cap	2	2100038 2100039
					G		Spanner	1	1020162

For replacement or lost spare parts please go to <http://spares.hartmanuk.co.uk/purchase>

Should you have any queries about your furniture your first point of contact should be the retailer from whom you purchased your product

PLEASE KEEP ME WITH YOUR PROOF OF PURCHASE FOR FUTURE REFERENCE

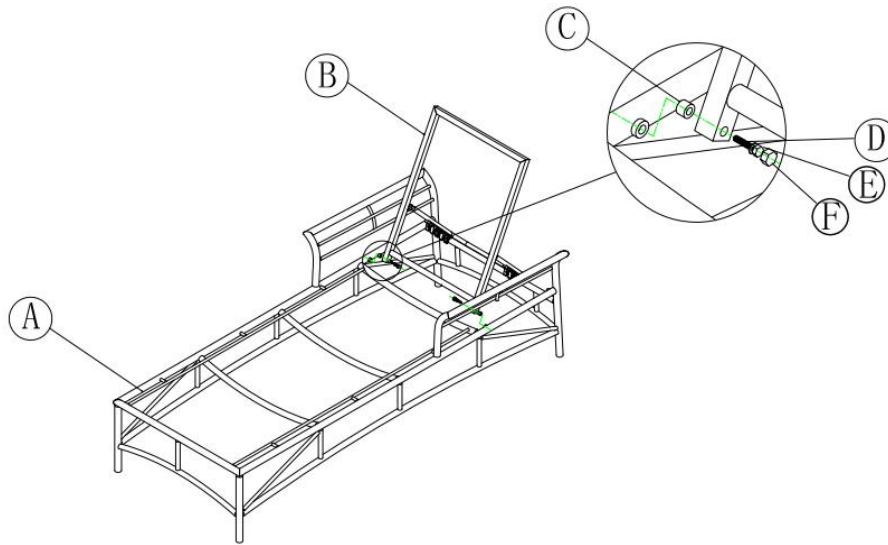


ASSEMBLY INSTRUCTIONS

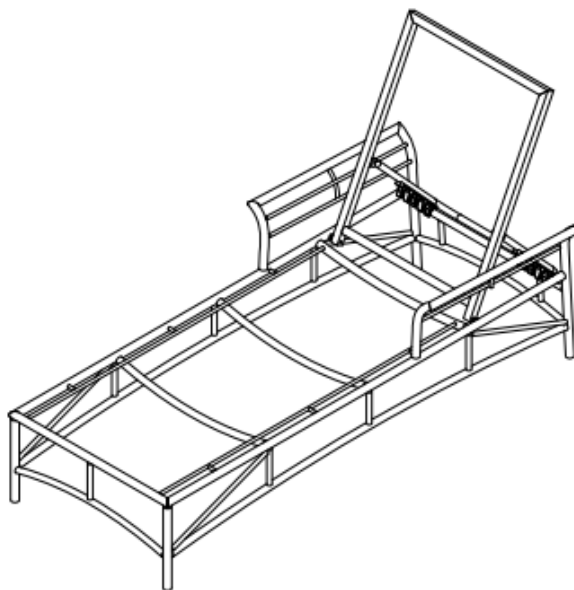
Heritage Lounger

(68122145 / 68149146)

1



2



For replacement or lost spare parts please go to <http://spares.hartmanuk.co.uk/purchase>

Should you have any queries about your furniture your first point of contact should be the retailer from whom you purchased your product